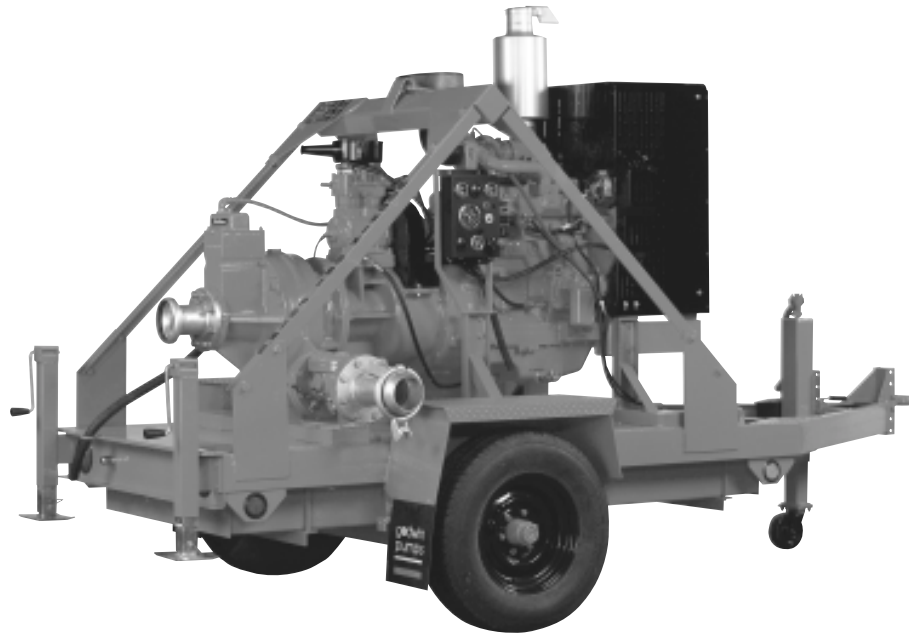


# HL4M Dri-Prime® Pumps

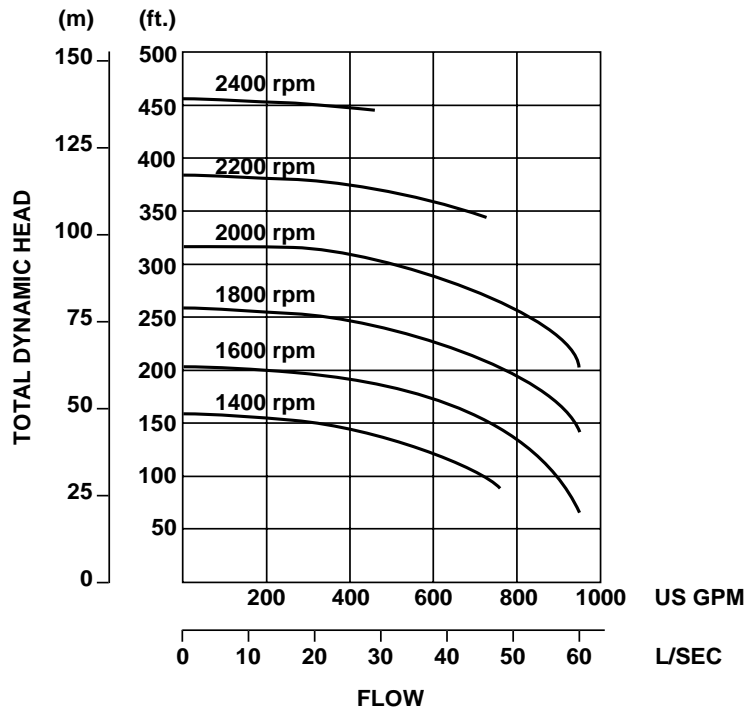


The Godwin Dri-Prime 4" x 4" (100mm x 100mm) HL4M automatic self-priming centrifugal pump is a compact, high pressure pump perfectly suited for temporary pumping under discharge pressure conditions or high discharge lifts. Capable of generating maximum flows of 1,000 gallons per minute (63.1 l/sec.) and discharge heads to 455 feet (138.7M) or 195 psi (13.4 BAR), the HL4M is used in temporary fire service, quarry and mine dewatering, and as a temporary replacement for permanently installed transfer pumps. Like all Godwin Dri-Prime pumps, the HL4M can prime and reprime automatically from dry to 28 feet (8.5M) of suction lift.

## Features

- Fully automatic priming from dry to 28 feet (8.5M) of suction lift. Maximum heads to 455 feet (138.7M), maximum flows to 800 gpm (50.5 l/sec.).
- Pumpend available in cast iron, stainless steel and other hardened materials.
- Extensive application flexibility — will handle sludge with solids up to 1-3/8" (35mm) in diameter.
- Continuously operated "Godwin" venturi air ejector priming device featuring direct drive air compressor requiring no periodic adjustment or control.
- Dry running, oil-bath, mechanical seal with high abrasion resistant silicon carbide interfaces.
- Solids handling swing-type Non Return valve with renewable flexible rubber seat.
- Compact unit mounted on a heavy-duty skid base or two-wheeled highway trailer both incorporating integral overnight running fuel tank and lifting frame.
- Simple maintenance — normally limited to checking engine and seal cavity oil levels.
- Standard engine — John Deere 4045T. Available with a variety of engines including Caterpillar and Deutz. Electric motor driven units are also available.
- Low-profile side discharge for easy pipe connection.
- A variety of silenced units are available.

# HL4M Performance Curve



# HL4M Performance Table

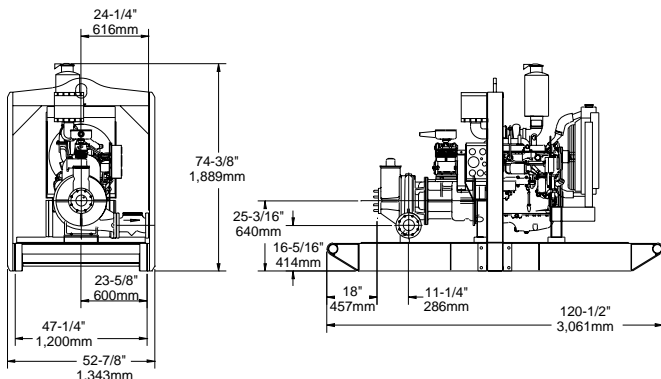
Diesel Set – John Deere 4045T, 102 hp (76 kw) @ 2400 rpm  
 Impeller Diameter – 14 9/16 inches (370 mm)

| Total Suction Head<br>Feet | Total Delivery Head – Feet |     |     |     |     |
|----------------------------|----------------------------|-----|-----|-----|-----|
|                            | 150                        | 200 | 250 | 300 | 350 |
|                            | Output – GPM               |     |     |     |     |
| 10                         | 1000                       | 995 | 972 | 820 | 640 |
| 15                         | 990                        | 983 | 966 | 810 | 620 |
| 20                         | 900                        | 872 | 824 | 735 | 550 |
| 25                         | 770                        | 760 | 740 | 690 | 480 |

Performance data listed in table and curves based on water tests at sea level and 68° F (20° C). Larger diameter pipes may be required for maximum flows.

# Dimensions

HL4M–John Deere 4045T, Skid Base  
 Weight: 4,560 lbs. (2,068 kg.)



# Specifications

- Maximum Operating Speed:** 2400 rpm
- Maximum Operating Temperature:** +212°F (100°C)
- Maximum Working Pressure:** 197 psi (13.6 BAR)
- Maximum Suction Pressure:** 100 psi (6.9 BAR)
- Maximum Casing Pressure:** 296 psi (20.4 BAR)
- Fuel Tank Capacity:** 100 gallons (378.5 liters)
- Fuel Consumption:** 5.2 gph (19.7 lph)
- Pipe Connections:** 4" (100mm) ASA 150#
- Solids Handling:** 1-3/8" (35mm) diameter

# Materials

- Pump Casing, Separation Tank and Non Return Casing:** Close-Grained Cast Iron
- Impeller:** Cast Chromium Steel
- Shaft:** 1-1/2% Nickel/Chromium Steel
- Wearplates:** Close Grained Cast Iron (optional 26% Chrome/Iron available)
- Non Return Valve Flapper:** High Nitrile Rubber
- Mechanical Seal Faces:** Solid Silicon Carbide



One Floodgate Road, Bridgeport, NJ 08014, USA  
 (856) 467-3636 • Fax: (856) 467-4841

Quenington, Cirencester, Glos., GL7 5BX, UK  
 +44 (0)1285 750271 • Fax: +44 (0)1285 750352

E-mail: sales@godwinpumps.com  
 www.godwinpumps.com

### BRANCH LOCATIONS:

- Norwich, CT • Buffalo, NY • Chicago, IL
- Washington, DC • Richmond, VA • Virginia Beach, VA
- Charleston, WV • Raleigh, NC • Charlotte, NC
- N. Charleston, SC • Atlanta, GA • Houston, TX
- San Antonio, TX • Helena, MT • Los Angeles, CA

Dri-Prime® is a registered trademark of Godwin Pumps of America, Inc. Specifications and illustrations are subject to revision without notice. © Copyright 2002 Godwin Pumps of America, Inc. All rights reserved.